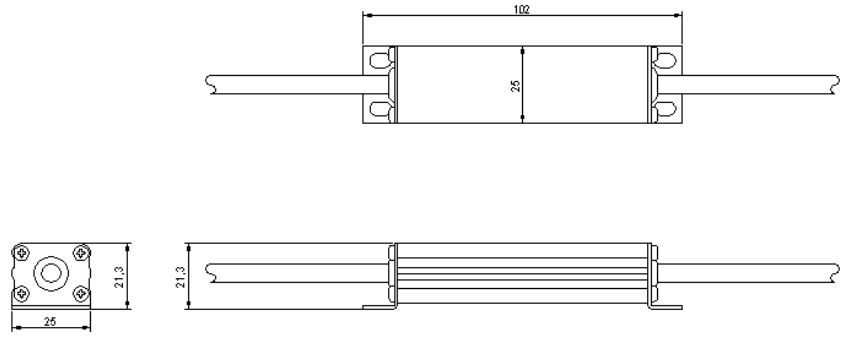


# Isolated DMX512 Repeater(LH-REP-05)



## Features

- \*.Isolated type
- \*.Waterproof(IP66)
- \*.Full aluminum body
- \*.Thermal-Shutdown Protection
- \*.KC certification(R-R-LHa-LH-REP-05)

## The Technical Specifications of Isolated DMX512 Repeater(LH-REP-05)

Descriptions	Specifications	Remarks
1. Power Consumption	1 W	
2. Operating Voltage	6 ~ 30 VDC	
3. Isolation Voltage	2.5KV	
4. Input signal	TIA/EIA-485-A & DMX	
5. Output signal	TIA/EIA-485-A & DMX	
6. Input impedance	120 ohm	
7. Data rate	5Mbps	Max.
8. Water proof	IP66	
9. line length	500mm	
10. Operating Temperature	-20°C ~ +60°C	
11. Outline Size	103mm x25mm (H)22mm	
12. Weight	105g	